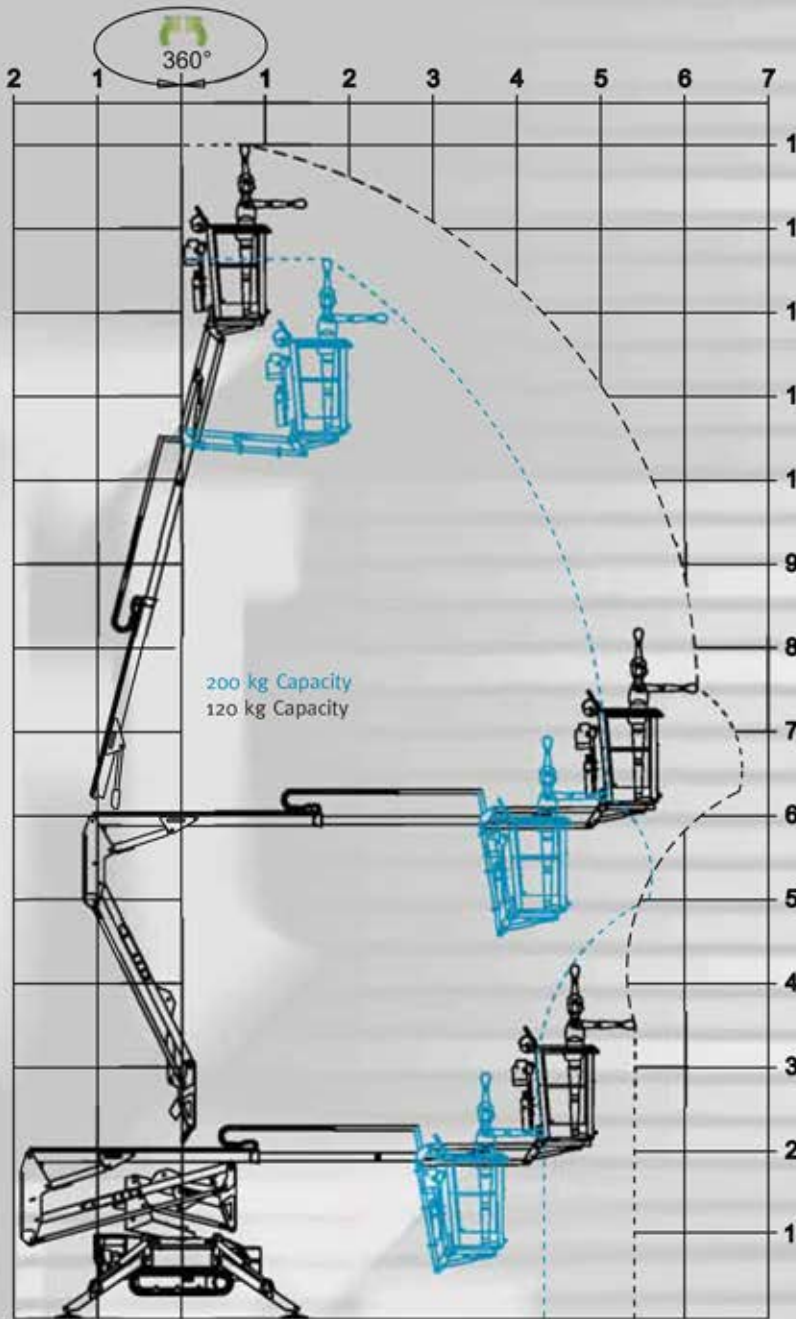


# GOLDLIFT 14.70 III S

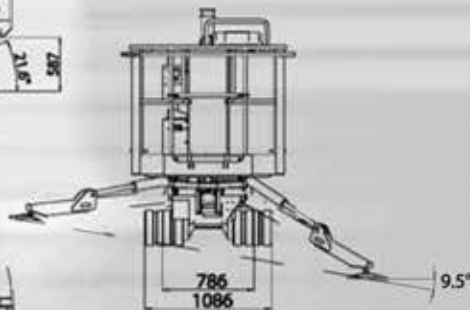
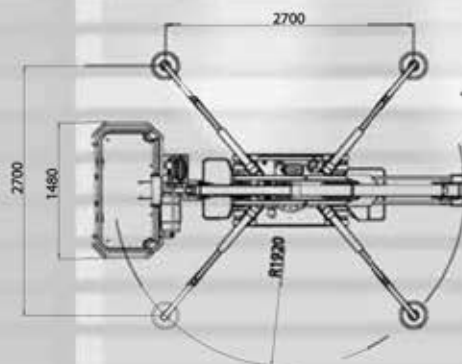
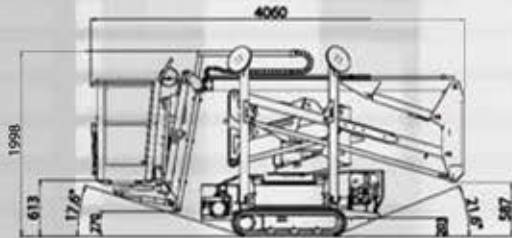


200 kg Capacity  
120 kg Capacity

SIMONCELLI PP - DGL025-20711

	CAPACITY 200 kg	CAPACITY 120 kg
MAX WORKING HEIGHT	12,68 m	14 m
MAX HORIZONTAL WORKING OUTREACH	5,66 m	7 m
TRANSPORT LENGTH	4,06 m	
TRANSPORT HEIGHT	1,998 m	
STANDARD CAGE DIMENSIONS	1335x690xh.1100 mm	
MAX SLOPE ALLOWED IN TRAVEL MODE	17,5° / 31,5%	
TOTAL WEIGHT	1700 kg / 3747,85 lb	
THERMIC ENGINE AVAILABLE	Honda iGX440-15CV 3600rpm	HATZ 1B40-10CV 3600rpm
ELECTRIC MOTOR	2,2kw-230V-50Hz 1500rpm	2,2kw-110V-50Hz 1500rpm
MAX TRAVEL SPEED	I - 1,4 km/h II - 1,4-2,8 km/h OPTIONAL	
CLOSED MACHINE WIDTH	780/1080 mm	
GROUND PRESSURE IN TRAVEL MODE	1670 daN - 0,5 daN/cm <sup>2</sup>	
GROUND PRESSURE IN WORKING MODE	1330 daN - 1,9 daN/cm <sup>2</sup>	

**LITHIUM** ELECTRIC MOTOR WITH LITHIUM BATTERIES  
OPTIONAL 90Ah / 48V



HINOWA is continually reasear ching and developing products and reserves the right to make modifications without prior notice. All data in this document is indicative. Certain options or country standards will increase weight. Specifications may change to meet country standards or with the addition of optional equipment.



# Hinowa

**HINOWA SPA**  
Via Fontana • 37054 NOGARA • Verona • Italy  
Tel. +39 0442 539100 • Fax +39 0442 539075  
info@hinowa.com  
[www.hinowa.com](http://www.hinowa.com)